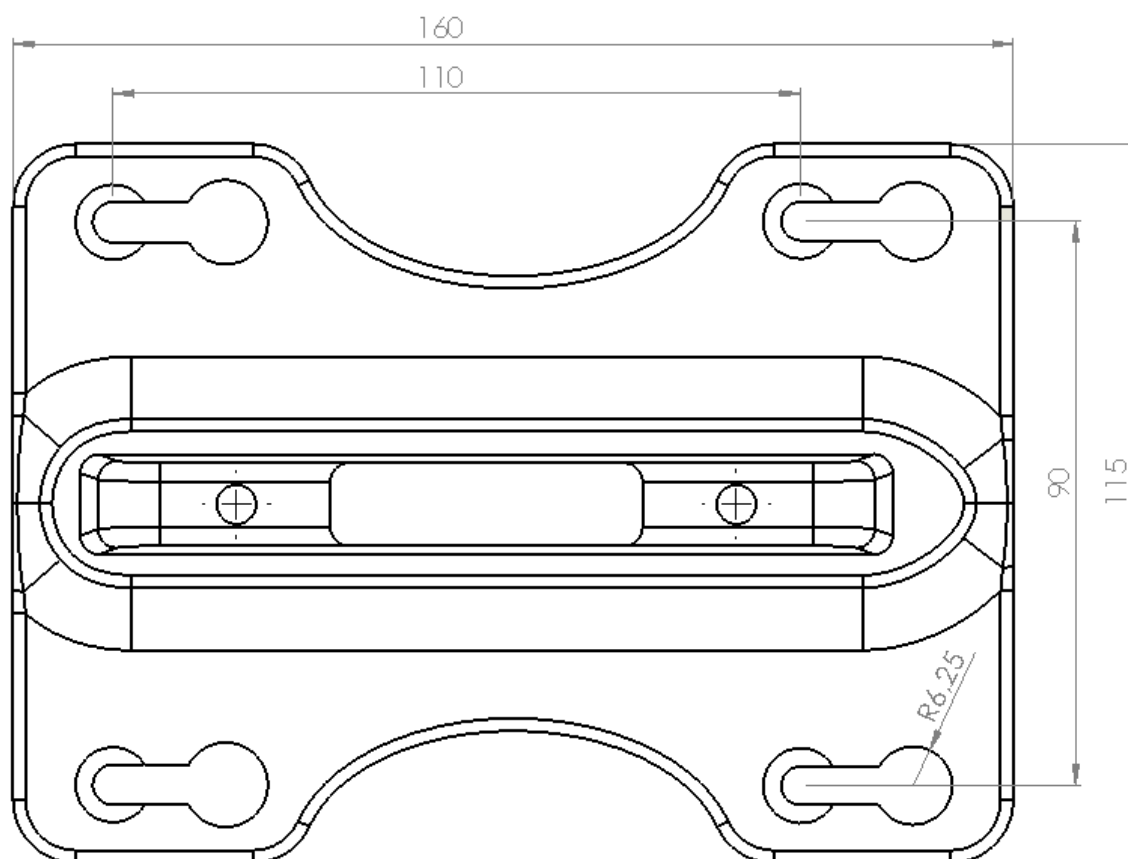


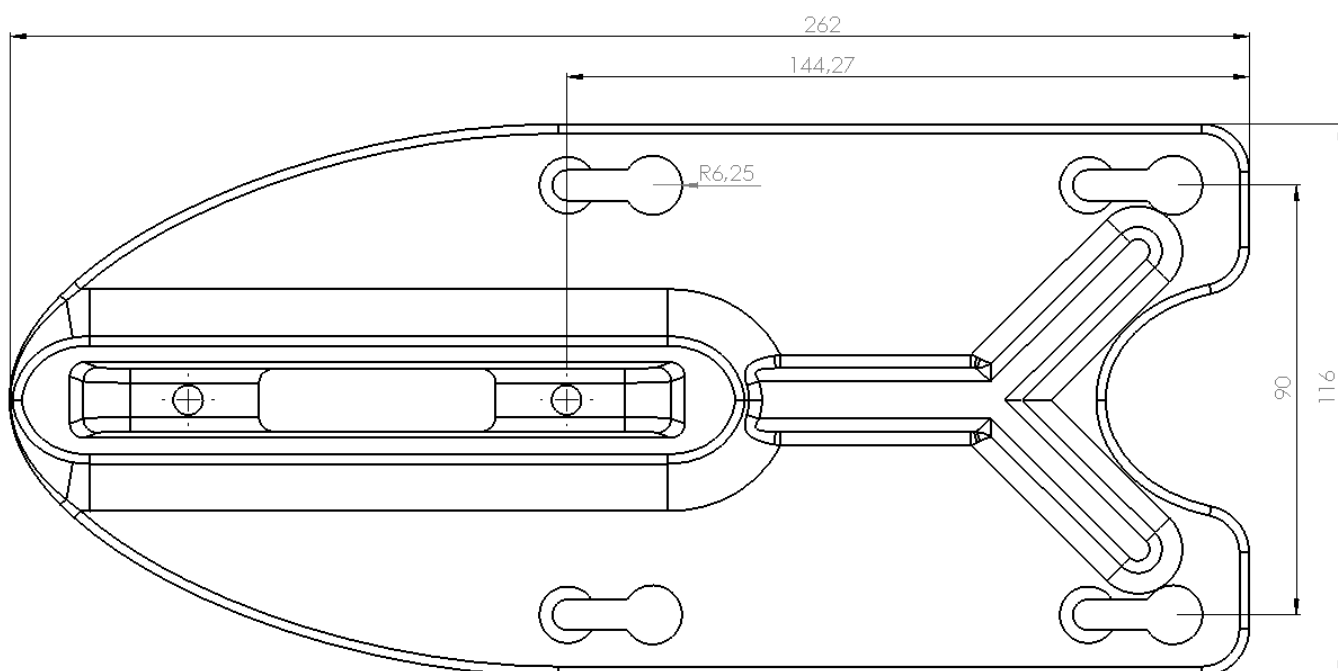
Connection for SM1 mast - 2023

Foil range : Vini V3 - LIBEL

4 holes plate



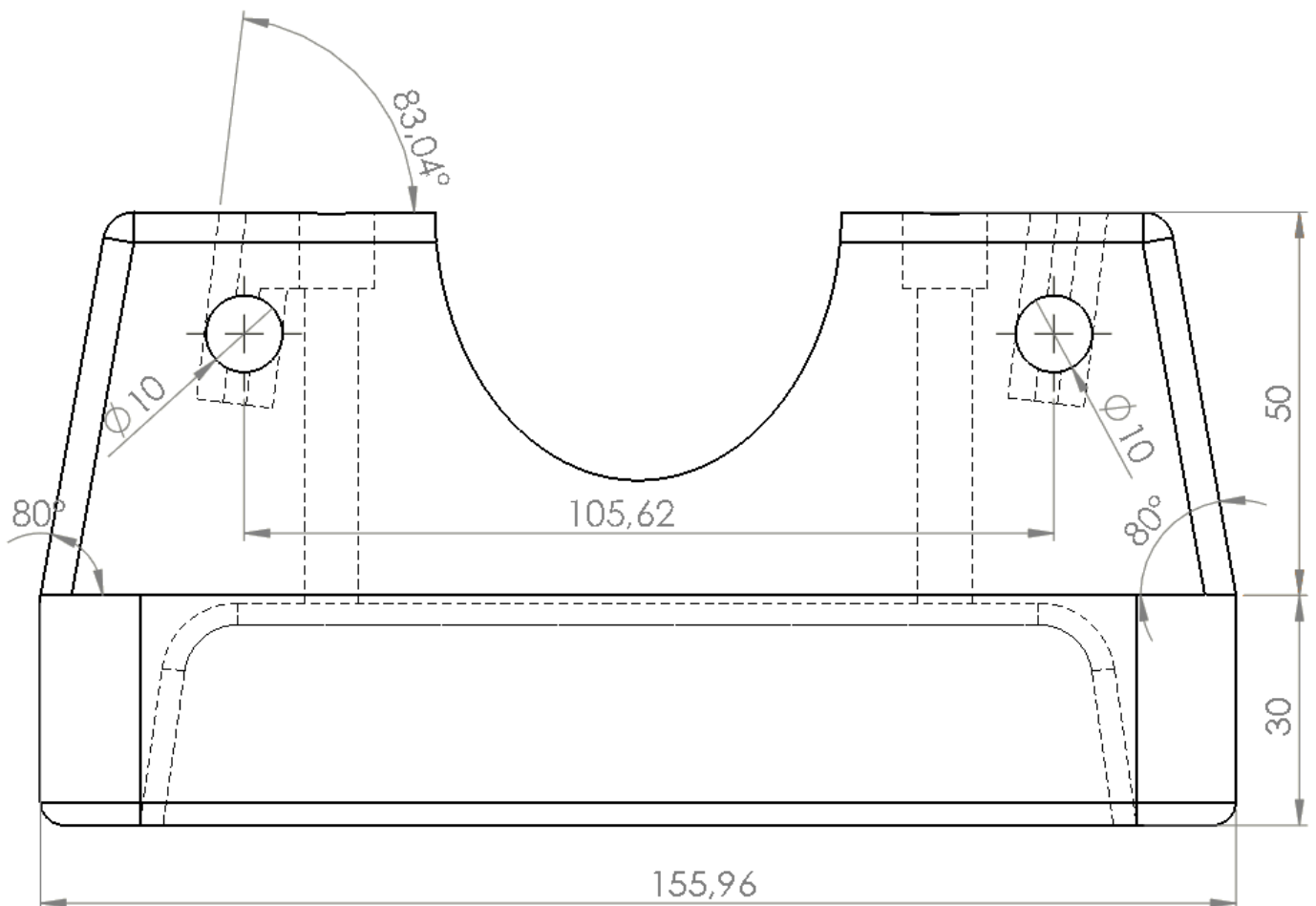
4 holes plate with gap



Deep Tuttle

Thickness of the tuttle and deep tuttle box is 16mm(+0/-0.1)

Round chamfer are 4mm radius on all edges



KF-Box

Round chamfer are 3mm radius on all edges

